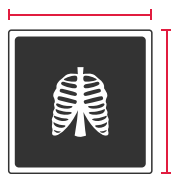


Saturn 8000 4343FW

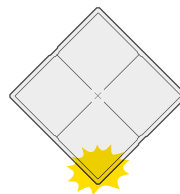
DfYa]i a ' : `Uh'DUbY`8YhYVwcf'Zcf'; YbYfU`FUX]c[fUd\m



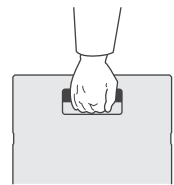
High Image Quality: 99 μ m



43 cm x 43 cm



Finest Durability

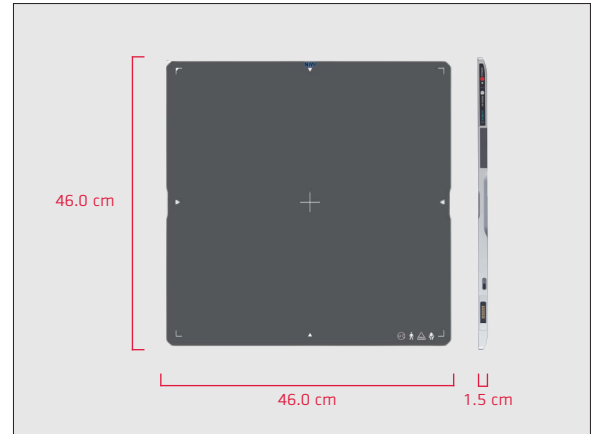


Greater Portability

Features

- Glass-free TFT. Active area of 43 cm x 43 cm.
- High spatial resolution with 99 μm pixel array.
- IP67 dust and water resistance.
- Multiple charging with various methods – standard USB-C interface, magnetic tether connector, cradle, battery charger.
- Long lasting battery up to 16 hours of operation.
- NFC card for different x-ray room settings.
- Various applications such as General Radiography, Orthopedic, Veterinary, Chiropractic X-ray systems.
- Advanced algorithm for image enhancement by Photon-understanding AI Solution.

Drawing



Technical Specifications

| Model Name | FXRD-4343FAW |
|---------------------------|---|
| Technology | a-Si Flexible TFT |
| Scintillator | CsI |
| Pixel Pitch | 99 μm |
| Spatial Resolution | 5.0 lp/mm |
| Pixel Matrix | 4316 x 4316 pixels |
| Image Size | 43 cm x 43 cm |
| Grayscale | 16 bits |
| Image Acquisition Time | 4 s |
| Recommended Cycle Time | 7 s |
| Data Interface | Gigabit Ethernet IEEE 802.11n / ac |
| X-ray Generator Interface | DR Trigger Mode / AED Mode / Software Trigger |
| Dimensions | 46.0 cm x 46.0 cm x 1.5 cm |
| Weight | 2.95 kg (1 battery) |
| | 3.15 kg (2 batteries) |
| Battery | Lithium Ion 3400mAh x 2 16 h (standby) * 3,000 images at a 15-second cycle. |
| Dust and Water Resistant | IP67 |
| X-ray Voltage Range | 40 – 150 kVp |
| Operating Environment | 0°C to 40°C 5 % to 90 % RH (non-condensing) |
| Power | Normal: Max. 24W Charging: Max. 80W |

Manufactured by **VIEWWORKS**

41-3, Burim-ro 170 beon-gil, Dongan-gu, Anyang-si, Gyeonggi-do, 14055 Republic of Korea
Tel: +82-70-7011-6161 Web: www.viewworks.com

Sales Office

New Medical Imaging Co., Ltd.
7th floor, No.31, Sec.2 Zhongyang S. Rd., Beitou Dist., Taipei City 112, Taiwan
Tel: +886-2-2892-2275 Email: sales@newmedical.com.tw

Copyright © 2023 New Medical Imaging Co., Ltd. All rights reserved.

* Specifications are subject to change without prior notice.



3643FW-E202310